

Megapixel Cube Network Camera



CB-100A Series

- Compact and Streamline Design.
- Built-in PIR Sensor and Illumination LED(*)
- Built-in MIC and Speaker(*)
- EasyConfig for Easy Set Up and GUI Integration
- Built-in Micro SD/ SDHC Memory Card Slot(*)
- MPEG-4, MJPEG and H.264 Triple Codec Compression
- 802.11a/b/g/n Wireless Connectivity (*)
- WPS Supported for Easy Wireless Network Setup (*)

Camera Accessories



CI-803A
CI-803C

Camera Bracket



GL-222

Camera Bracket



12V 4400mAh

12V Li Battery Module

Network Equipments



DWRT-600N

Dual-Band
Wireless N Router



151S-12V

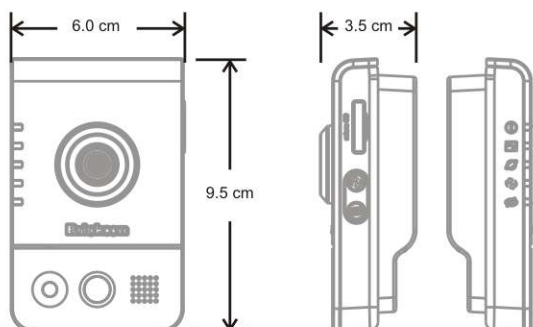
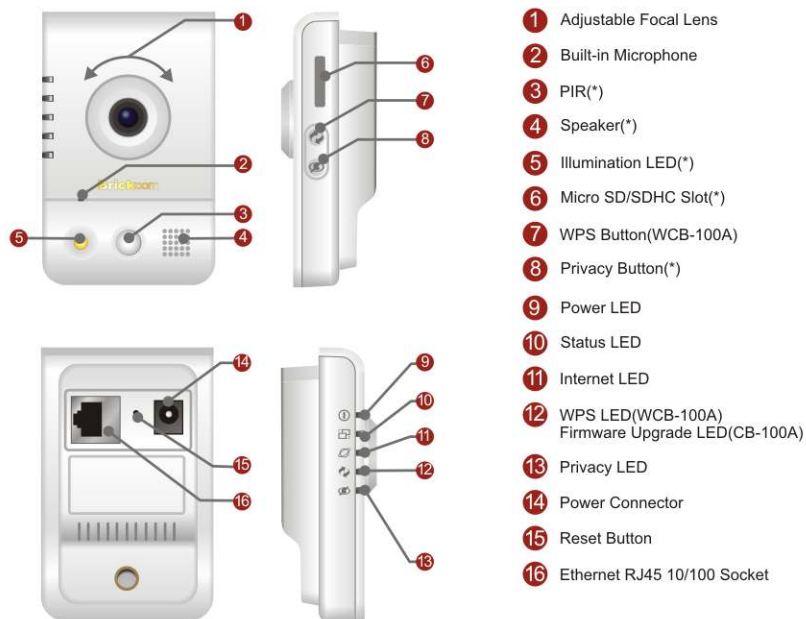
PoE Splitter



BP-1000

UPS Power Pack
for Camera

Dimension Diagram



CB-100A Series

Camera		Audio	
Model Number	CB-100Ae(VGA) - Built-in MIC/ Ethernet/ Privacy Button WCB-100Ae(VGA) - Built-in MIC/ Ethernet/ Wi-Fi/ Privacy Button CB-100Ae - Megapixel/ Built-in MIC/ Ethernet/ Privacy Button WCB-100Ae - Megapixel/ Built-in MIC/ Ethernet/ Wi-Fi/ Privacy Button CB-100Ap - Megapixel/ Built-in MIC & Speaker/ Micro SD/SDHC/ Ethernet/ Privacy Button/ PIR/ Illumination LED WCB-100Ap - Megapixel/ Built-in MIC & Speaker/ Micro SD/SDHC/ Ethernet/ Wi-Fi/ Privacy Button/ PIR/ Illumination LED	Audio Streaming	CB-100Ae(VGA)/ WCB-100Ae(VGA)/ CB-100Ae/ WCB-100Ae 1-way Audio Support CB-100Ap/ WCB-100Ap 2-way Audio Support
Hardware System	CPU: 500 MHz Flash: 16M RAM: CB-100Ae(VGA)/ WCB-100Ae(VGA)/ CB-100Ae/ WCB-100Ae 64M DDR CB-100Ap/ WCB-100Ap 128M DDR	Audio Compression	G.711, AMR (8 kHz, Mono, PCM)
Image Sensor	Sensor Type : 1/4" Mega-Pixel CMOS Sensor Sensor Resolution : 1280 x 800 pixel Minimum Illumination 0 Lux (With illumination LED), 1 Lux (Without LED)	Audio Input/ Output	CB-100Ae(VGA)/ WCB-100Ae(VGA)/ CB-100Ae/ WCB-100Ae Built-in MIC CB-100Ap/ WCB-100Ap Built-in MIC and Speaker
Lens	Lens Type : Board Lens CB-100Ae(VGA)/ WCB-100Ae(VGA)/ CB-100Ae/ WCB-100Ae Focal Length: f= 3.60 mm F-number: F2.3 View Angle : H: 55.7° / V: 36.5° / D: 63.9° CB-100Ap/WCB-100Ap Focal Length: f= 3.74 mm F-number: F2.0 View Angle: H: 54.8° / V: 35.9° / D:63.1°	Network	
Video		Communication	Ethernet : one 10/100Mbps RJ-45 Wi-Fi: 802.11 b/g/n (WCB-100Ae(VGA)/ WCB-100Ae) 802.11 a/b/g/n (WCB-100Ap) Supported Protocols : TCP/IP, UDP, ICMP, DHCP, NTP, DNS, DDNS, SMTP, FTP, HTTP, Samba, PPPoE, UPnP, Bonjour, RTP, RTSP, RTCP
Video Image Compression	H.264 / MPEG4 / MJPEG	General	
Video Setting	Audio Exposure Control: Sport, Normal, Night Vision, User Define Auto Gain Control: 1X~5X Shutter Speed: 1/5~1/20000 sec	Interface & Buttons	Micro SD/ SDHC Card Slot (CB-100Ap/ WCB-100Ap) DC Power Connector Ethernet Cable Connector Privacy Button WPS Button (WCB-100Ae(VGA)/ WCB-100Ae/ WCB-100Ap) Reset Button Microphone PIR sensor/ Speaker/ Illumination LED (CB-100Ap/ WCB-100Ap)
Image Resolution	CB-100Ae(VGA)/ WCB-100Ae(VGA) - 640 x 400 - 320 x 192 CB-100Ae/ WCB-100Ae/ CB-100Ap/ WCB-100Ap - 1280 x 800 - 640 x 400 - 320 x 192	LEDs	CB-100Ae(VGA)/ CB-100Ae/ CB-100Ap Power/ Connect/ Internet/ Privacy/ Firmware Upgrade WCB-100Ae(VGA)/ WCB-100Ae/ WCB-100Ap Power/ Connect/ Internet/ Privacy/ WPS
Frame Rate at Max. Resolution	CB-100Ae(VGA)/ WCB-100Ae(VGA) - H.264: 30 fps - MPEG4: 30 fps - MJPEG: 30 fps CB-100Ae/ WCB-100Ae - H.264: 15 fps - MPEG4: 15 fps - MJPEG: 30 fps CB-100Ap/WCB-100Ap - H.264: 30 fps - MPEG4: 15 fps - MJPEG: 30 fps	Power input	DC12V / 1 A (Power Supply)
		Power consumption	CB-100Ae(VGA)/ CB-100Ae: 3.1 watts WCB-100Ae: 3.5 watts CB-100Ap: 4.1 watts WCB-100Ap: 4.5 watts
		Environment	Operating Temperature : 0°C ~ 50°C (32°F~122°F) Operating Humidity : 10% ~ 80%
		Dimension	34.8(L) x 60(W) x 95(H) mm
		Weight	CB-100Ae(VGA)/ CB-100Ae: 75g CB-100Ap: 88g WCB-100Ap: 95g (Excluding Stand)
		Certification	FCC, CE
		Warranty	Limited 2-year Warranty

(*) These are optional features. Please refer to the Buying Guide for the full list of optional features available for this product.