

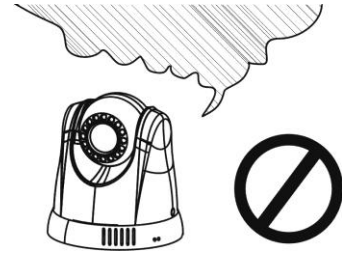
Brickcom

12x PTZ Network Camera
PZ-040 12x Series
Quick Installation Guide

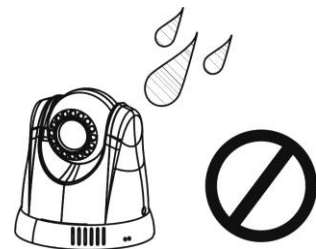


Read Before You Use

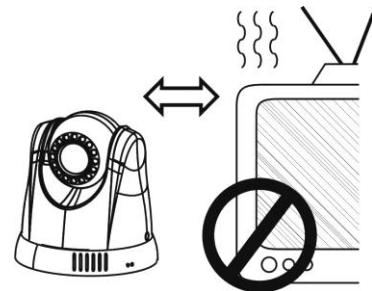
1. Power off the camera device immediately if it starts smoking or smells unusual.



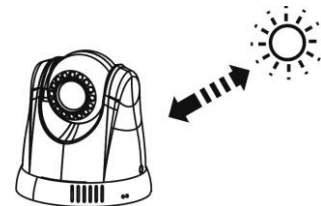
2. Power off the camera device immediately if the camera is exposed to rain or liquid.



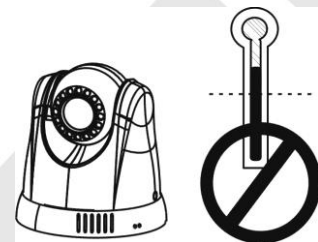
3. Do not set the camera device near any heat sources. (Ex: television and oven)



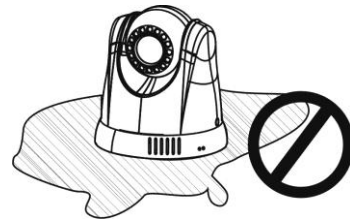
4. Keep the camera device away from direct sunlight.



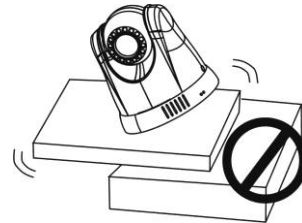
5. Do not set the camera device over the specific operating temperature.



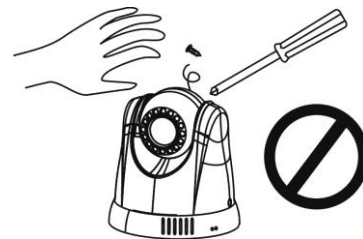
6. Do not set the camera device in any wet and humid environments.



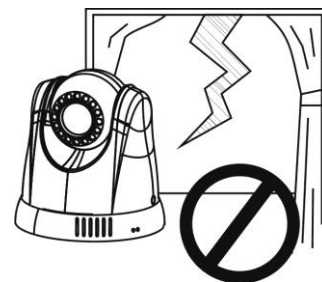
7. Do not set the camera device on unsteady surfaces.



8. Do not attempt to dismantle the camera device.



9. Do not drop or hit the camera device.

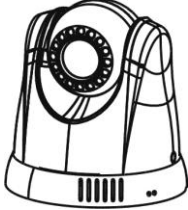
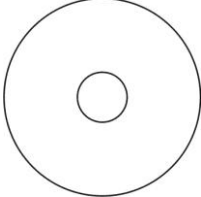
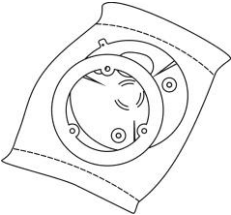
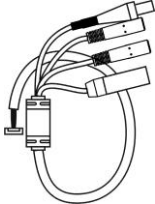

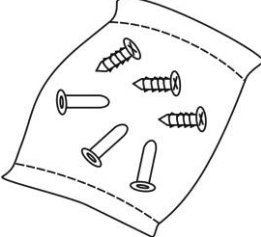
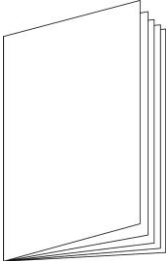
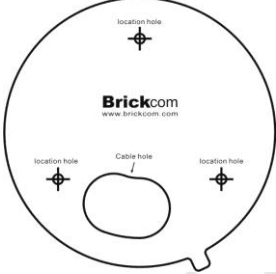


10. Do not use the camera device when there is lightning.





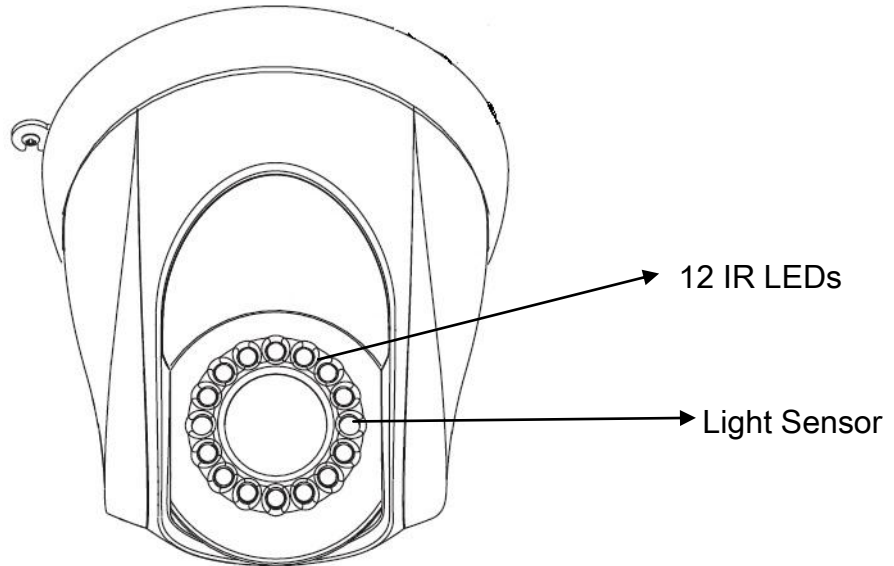
1. Check Package Contents

<p>a. PZ-040D/E 12x</p> 	<p>b. Product CD</p> 
<p>c. Mounting Kit</p> 	<p>d. I/O Cable</p> 
<p>e. Warranty Card</p> 	<p>f. Screw Bag</p> 
<p>g. Easy Installation Guide</p> 	<p>i. Alignment Sticker</p> 

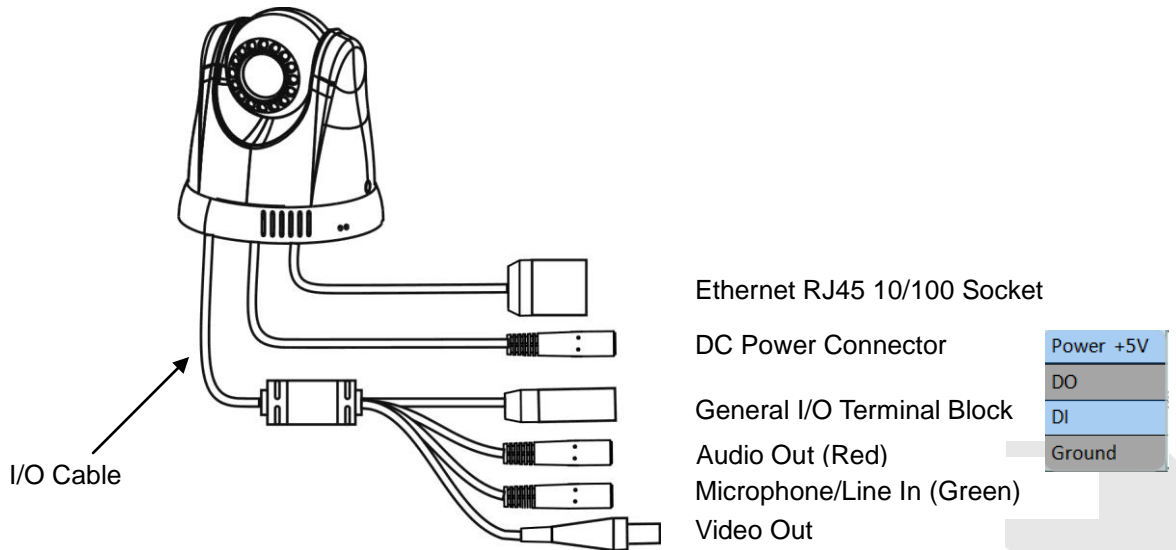


2. Device Description

<Front View>



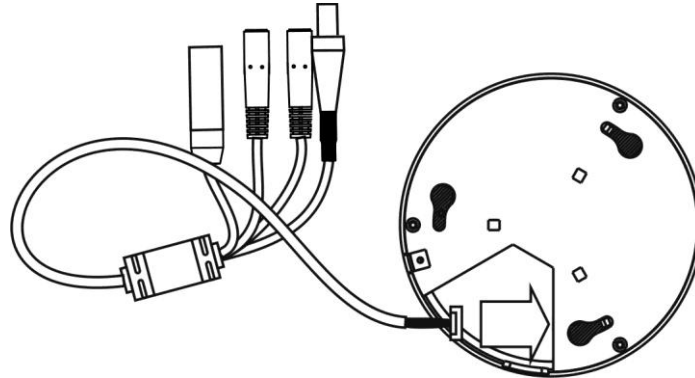
<I/O Connectors>



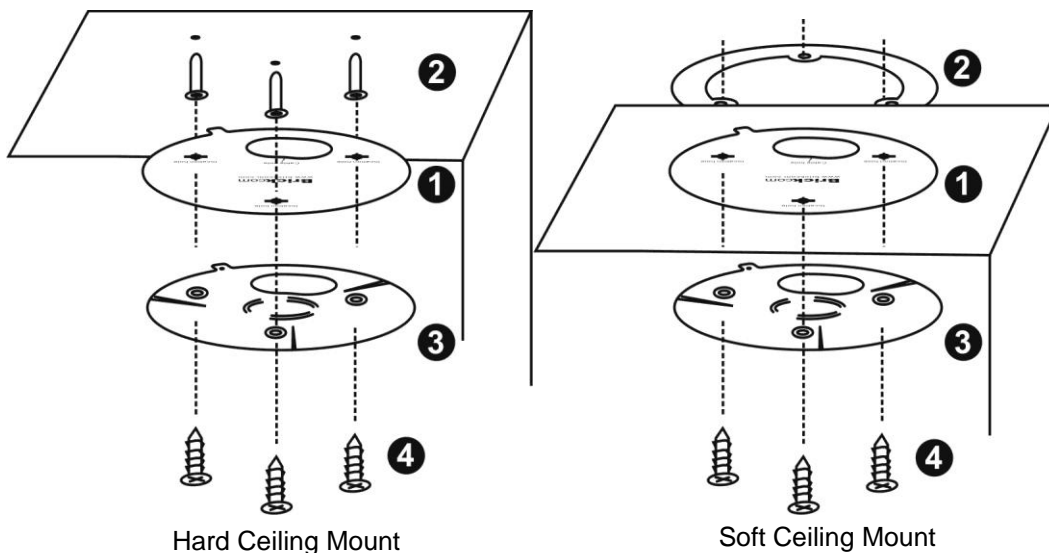


3. Hardware Installation

1. Connect the supplied I/O cable to the camera.

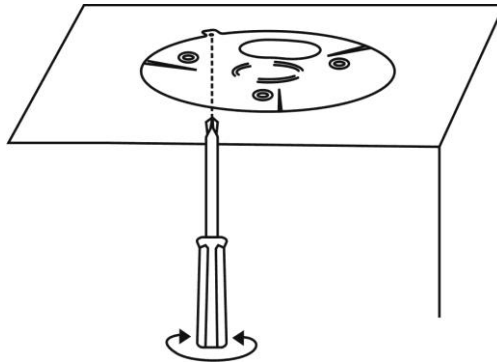


2. Install the Mounting Kit

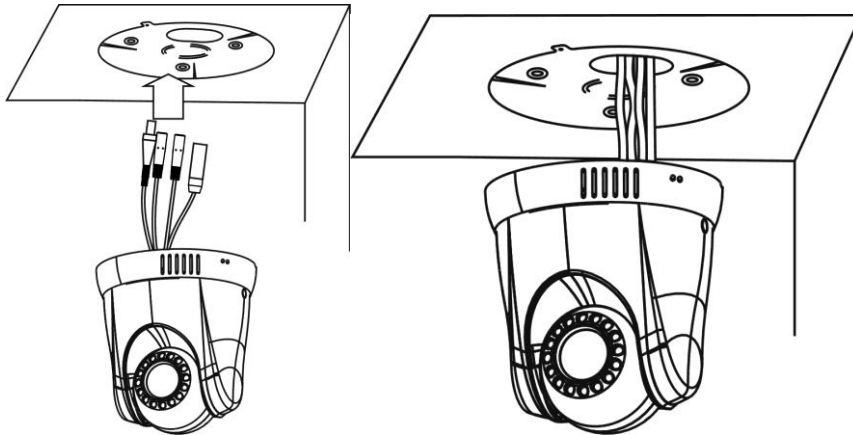


- Step1. Choose a location on the wall or ceiling to place the camera.
Attach the location sticker to the desired spot. Drill holes through the three location holes and cable hole on the sticker.
- Step2. *For Hard Ceiling Mount*, hammer the three plastic anchors that are provided into the three location holes.
For Soft Ceiling Mount, place the hollow plate on the back side of the ceiling and align the three holes on the plate with the screw location holes.
- Step3. Mount the metal plate on the ceiling and position the three screw slots over the plastic anchors. Insert the three screws provided in the product package into the holes and use a screwdriver to tighten the screws clockwise until they are secure.

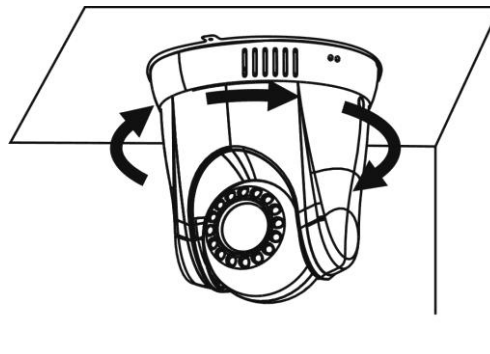
3. Loosen the screw on the rim of the metal plate but do not remove the screw completely.



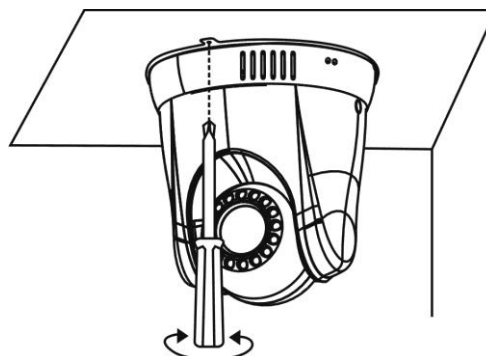
4. Push all cables and connectors through the cable hole into the ceiling, and attach the PTZ camera to the metal plate.



5. Turn the PTZ camera counter clockwise until it is in a locked position



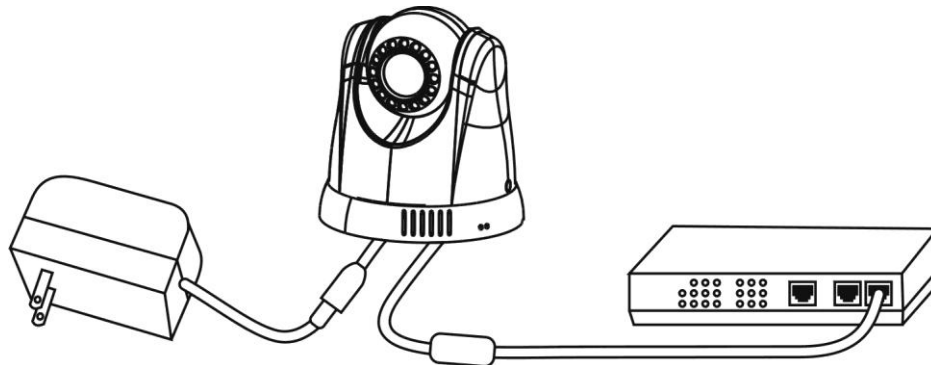
6. Tighten the screws on the metal plate.





4. Camera Connection

1. Basic Connection (Without PoE)



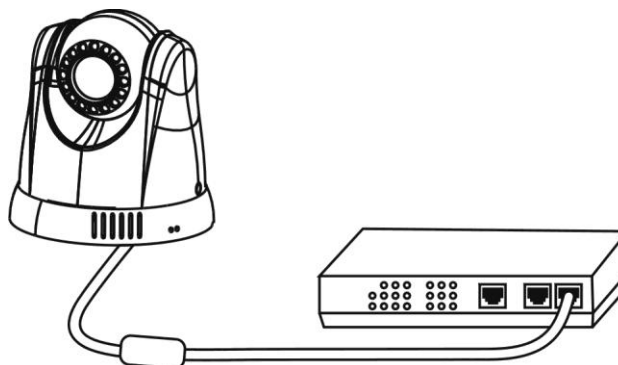
- 1.1 Connect the camera to a switch using a standard Ethernet cable.
- 1.2 Connect the power adapter from the camera to a power outlet.

 **Note:** A DC12V 2A power adapter is required.

2. Power over Ethernet (PoE) Connection

- 2.1 The PZ-040D/E is High Power PoE compliant, so there are two options for connecting the camera to a power and Ethernet source. The camera can either be connected to a High PoE-enabled switch or a non-PoE switch

A. If using a High Power PoE-enabled switch

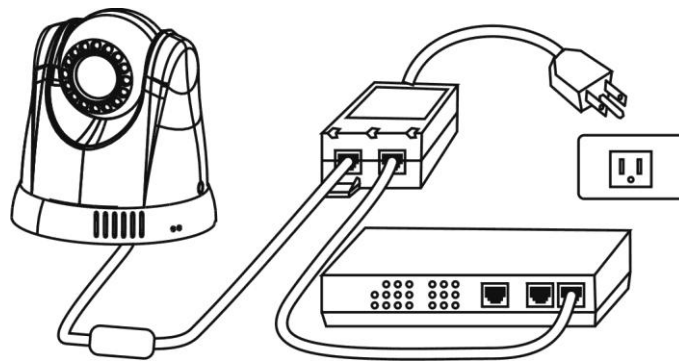


Use a single Ethernet cable to connect the camera to the High Power PoE-enabled switch.

⚠️ Note: The PoE switch must be able to provide *IEEE802.3at* High

Power PoE. It is recommended that a Brickcom PS-7242-AT 24 port high power PoE switch be used.

B. If using a non-PoE switch



1. Use a standard Ethernet cable to connect the camera to a High Power PoE Injector.
2. Use a standard Ethernet cable to connect the High Power PoE Injector to the non-PoE switch.
3. Use a standard power cable to connect the High Power PoE Injector to a power outlet.

⚠️ Note: The PoE injector must be able to provide *IEEE802.3at* High

Power PoE. It is recommended that a Brickcom POE30U high power PoE injector be used.



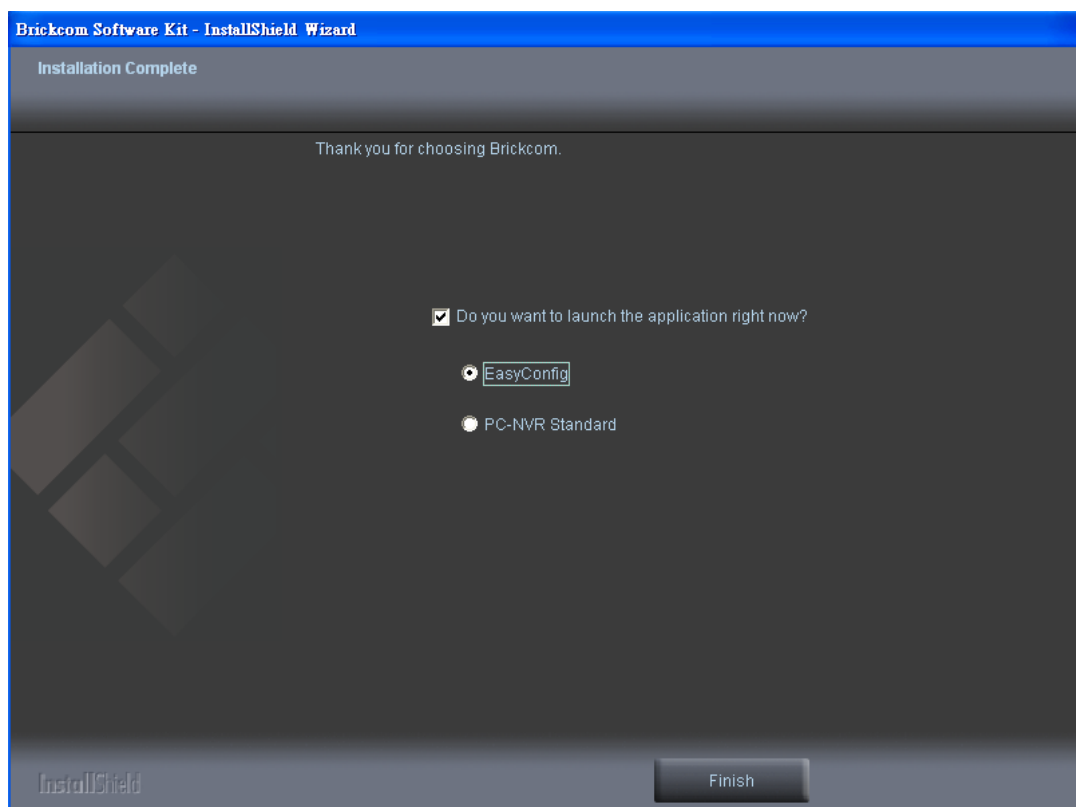
7. Setup the Network Camera

1. Insert the Installation CD into the CD-ROM driver. Run Auto-Run Tool directly from the CD-ROM to start the installation. When installing the Brickcom software kit for the first time, select a desired language for the interface. The available languages are listed in the scroll box. Click “Install” and follow the steps to install the EasyConfig wizard on the desired computer.



Please follow the InstallShield Wizard instructions to finish the Brickcom Software Kit installation.

2. Select either EasyConfig or PC-NVR Standard to launch. If the PC-NVR program is launched, please refer to the PC-NVR user manual.




EasyConfig

To launch EasyConfig, select EasyConfig from the start menu. If Complete Setup type was used in software installation, an EasyConfig icon was installed on the desktop. Double click to open the icon.



If Custom Setup type was used in software installation and an EasyConfig icon was not installed on the desktop, the program should be installed under C:\Program Files\Brickcom\EasyConfig unless the program was saved to a preferred directory.

1. Click <Start> to continue. The program will automatically search for the network camera in the intranet.

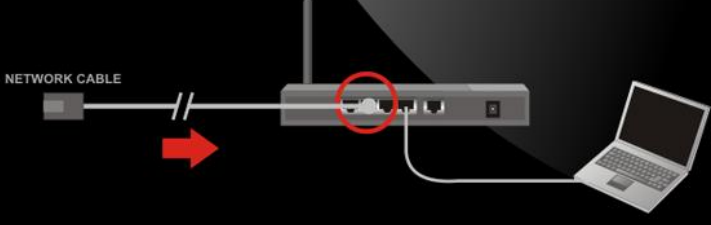
 **Note** - Check <Skip the hardware installation guide> to skip the hardware connection checking. To check the hardware installation settings, do not check the option box.



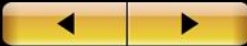
Brickcom

Connection

1 Plug one end of the supplied network cable into your network switch or router.

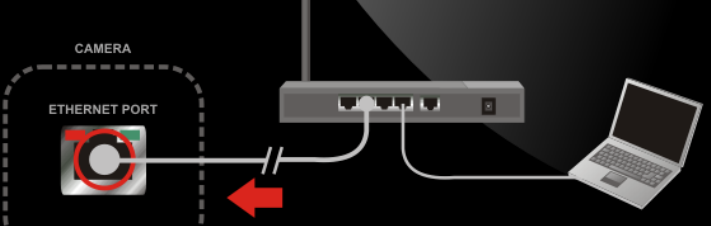


NETWORK CABLE




Brickcom

2 Plug the other end of the supplied network cable into the camera's Ethernet port.




CAMERA

ETHERNET PORT



Brickcom

3 Plug the power adapter into the camera's power port. Then connect the other end into the power outlet. Please check that the LED light is on.




POWER SOCKET

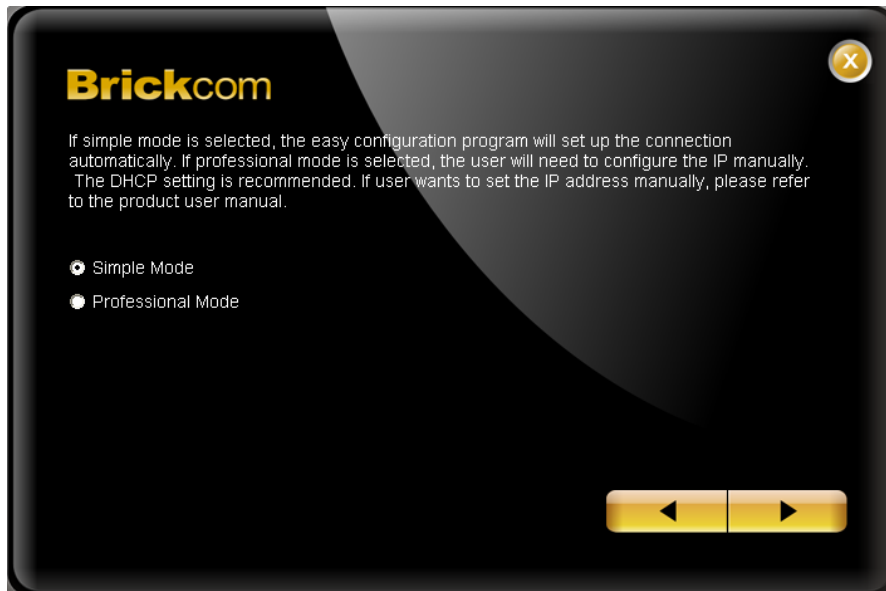
CAMERA

POWER

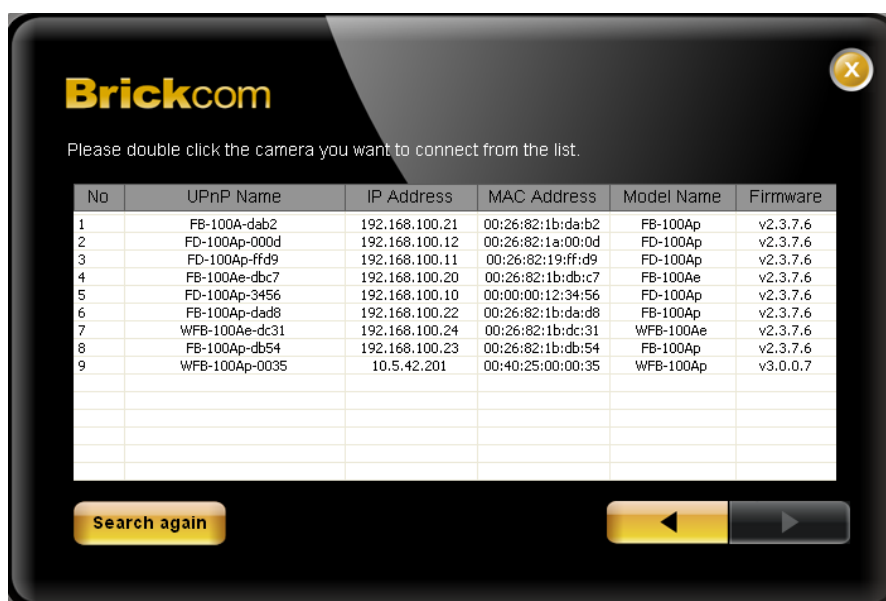
ETHERNET PORT



2. Select either Simple Mode or Professional Mode to obtain the Network Camera's IP setting. If Simple Mode is selected, EasyConfig will set up the connection automatically. If Professional Mode is selected, the user will need to configure the IP settings manually.



3. There may be many network cameras in the local network. Differentiate the network cameras using their UPnP name. Double click on the desired network camera from the survey list to connect.



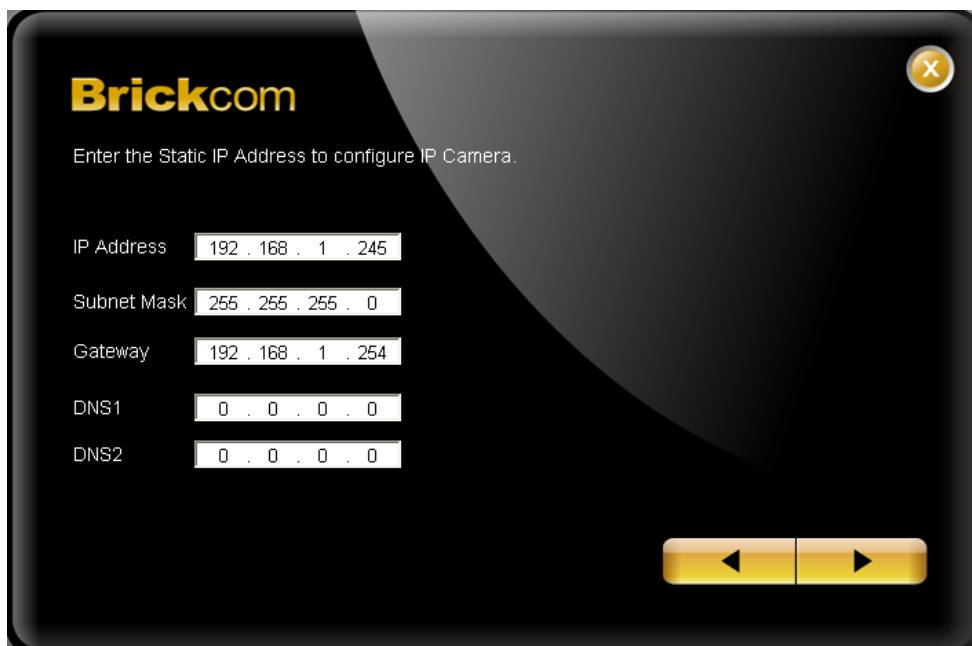
4. For configuring the IP address settings, select either <Settings remain the same>, <Automatically obtain an IP Address (DHCP)> or <Set IP Address configuration manually>. The DHCP setting is recommended. To set the IP address manually, please refer to the product user manual.



- a. If <Set IP Address configuration manually> is selected, the following pages will be displayed.



The screenshot shows a black dialog box with the Brickcom logo in the top left and a close button (X) in the top right. The text "Select the IP Address settings." is centered. Below it are three radio button options: "Settings remains the same", "Automatically obtain an IP Address (DHCP)", and "Set IP Address configuration manually". The third option is selected. At the bottom right, there are two yellow navigation buttons with left and right arrows.



The screenshot shows a black dialog box with the Brickcom logo in the top left and a close button (X) in the top right. The text "Enter the Static IP Address to configure IP Camera." is centered. Below it are five input fields for IP configuration: IP Address (192 . 168 . 1 . 245), Subnet Mask (255 . 255 . 255 . 0), Gateway (192 . 168 . 1 . 254), DNS1 (0 . 0 . 0 . 0), and DNS2 (0 . 0 . 0 . 0). At the bottom right, there are two yellow navigation buttons with left and right arrows.

5. If the Network Camera supports the EasyLink™ function, the following page **will be** displayed. Otherwise, this page **will not** be shown. If desired, click <Skip> to skip this setting.



EasyLink™ is a unique Brickcom function which allows users to assign a unique EasyLink name to their network camera's IP address. There is no need to configure the router to open up ports or remember hard-to-memorize IP addresses. Users can log onto [uniqueEasyLinkname].mybrickcom.com to view the camera's web GUI and live view.

- a. Enter a unique EasyLink name whose length must be between 5-32 characters.
 - b. When finished, click the arrow button to continue.
6. When the setup is complete, the screen will either display a successful or failed connection message.
 7. When this window is displayed, click <X> in the top right corner of the screen to close the installation window, click <PC-NVR> to start the PC-NVR program or, click <Live View> to view the live video from the

connected IP camera. To run the PC-NVR program, please refer to the PC-NVR user manual for more information.

