

36x Outdoor Speed Dome
Network Camera

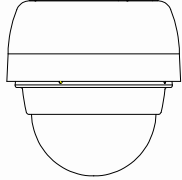
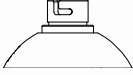
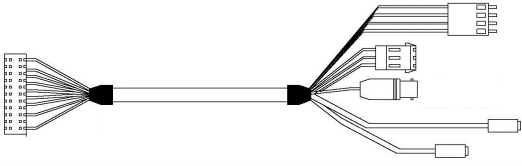
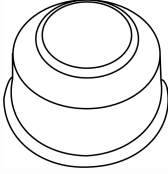


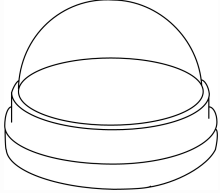
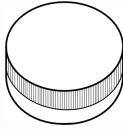
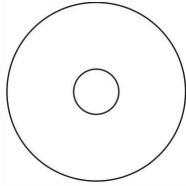

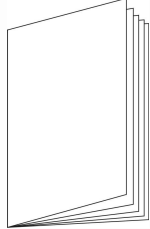
OSD-040 36x Series

Mounting Accessories

Installation Guide

Quality Service Group



<p>a. Speed Dome Camera</p> 	<p>b. Mount Kit</p> 
<p>c. I/O Cable</p> 	<p>d. Waterproof Rubber</p> 
<p>e. Warranty Card</p> 	<p>f. M5 Screw</p> 
<p>g. Dome Cover</p> 	<p>h. Lubricant</p> 
<p>i. Product CD</p> 	<p>j. Screw for Dome Cover</p> 
<p>k. Easy Installation Guide</p> 	



1. Ceiling Mounting with Straight Tube

The Straight Tube is available in different length: 25 cm and 30 cm.

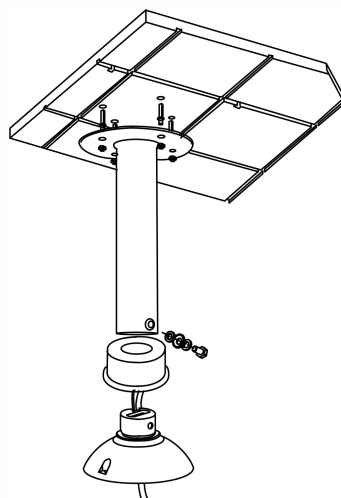
Follow the steps to mount the Speed Dome Camera with the Straight Tube.

1. Ensure that the ceiling can support the weight of the Speed Dome Camera and Straight Tube.
2. Make a cable entry hole on the ceiling.
3. Attach the Straight Tube to the ceiling with proper screws and screw anchors.
4. Connect the supplied Waterproof Rubber to the Straight Tube.
5. Run the cable(s) through the Straight Tube with the supplied I/O Cable's connector coming out of the outlet.



NOTE: After running the cable(s) through the Straight Tube, please block the Tube's outlet with the supplied sponge to avoid insects entering the tube.

6. Thread the cable(s) through the supplied camera top holder and join the holder to the Straight Tube with the supplied screws and washers. Then adjust the Waterproof Rubber over the joint.
7. Connect the Ethernet and I/O cables and hook the safety wired to the camera.
8. Attach the Speed Dome Camera to the top holder with the supplied M5 screw and washers.



Ceiling Mounting

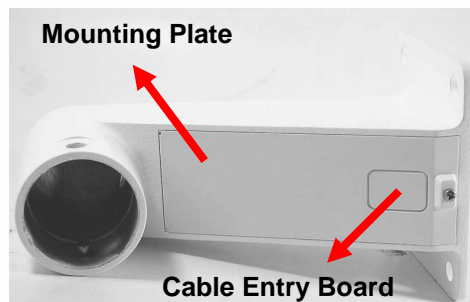


2. Wall Mounting

2.1 Mini/Standard Pendent Mount

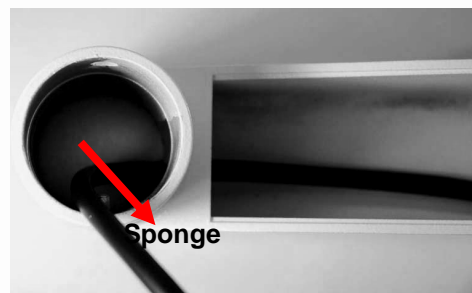
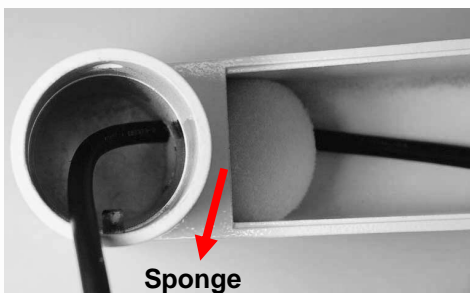
Follow the steps below to mount the Speed Dome Camera with the Mini/Standard Pendent Mount.

1. Make a cable entry hole on the wall to insert the cables through the bracket or push up the Cable Entry Board on the Mini/Standard Pendent Mount's Mounting Plate to place the cables.

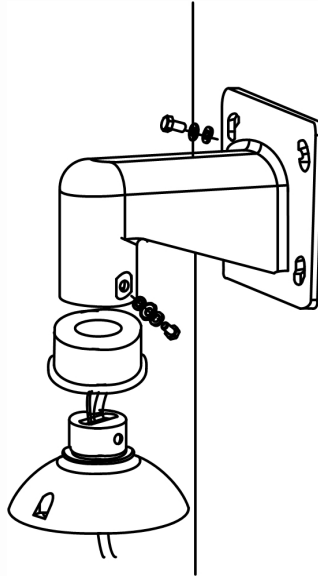


2. Attach the Mini/Standard Pendent Mount to the wall with proper screws and screw anchors.
3. Attach the supplied Waterproof Rubber to the Mini Pendent Mount.
4. Run the cable(s) through the Mini/Standard Pendent Mount with the I/O Data Cable's connector coming out of the outlet.

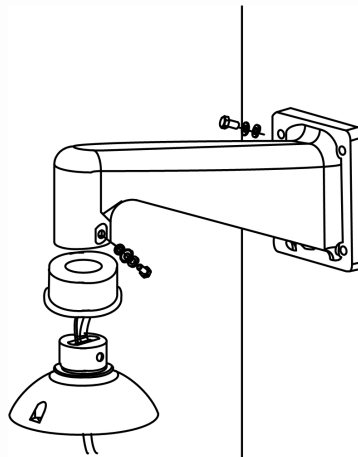
⚠ NOTE: Please block the cable entry hole with the supplied sponge to avoid insects entering the Pendent Mount. The sponge can be placed in two ways as shown in the illustrations below.



5. Thread the cable(s) through the supplied camera top holder and join the holder to the Mini/Standard Pendent Mount with the supplied screws and washers. Then adjust the Waterproof Rubber over the joint.
6. Connect the Ethernet and I/O cables and hook the safety wired to the camera.
7. Attach the Speed Dome Camera to the top holder with the supplied M5 screw and washers.



Wall Mounting: Mini Pendent Mount



Wall Mounting: Standard Pendent Mount

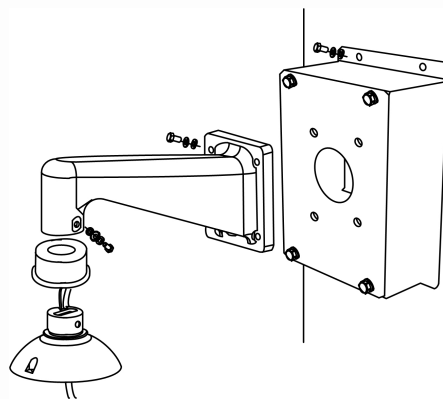
2.2 Wall Box Mounting

Follow the steps to mount the Dome Camera with the Standard/Mini Pendant Mount and Wall Box Mount.

1. Make a cable entry hole on the wall to insert the cable(s).
2. Attach the Wall Box Mounting to the wall with proper screws and screw anchors. Then run the cable(s) through the hole on the Wall Box Mounting with the I/O Cable's connector coming out.
3. Fasten the Standard/Mini Pendant Mount onto the Wall Box Mounting with the supplied screws and washers. Then thread the cable(s) through the Standard/Mini Pendant Mount with the cable(s) coming out of the Pendant Mount's outlet.

⚠ NOTE: Please block the cable entry hole with the supplied sponge to avoid insects entering the Pendant Mount. See the illustrations in section 2.1 Mini Pendant Mount > Step 4.

4. Attach the supplied Waterproof Rubber to the Standard/Mini Pendant Mount.
5. Thread the cable(s) through the top holder and join the top holder to the Standard/Mini Pendant Mount with the supplied screws and washers. Then adjust the Waterproof Rubber over the joint.
6. Connect the Ethernet and I/O cables and hook the safety wired to the camera.
7. Join the Speed Dome Camera to the top holder with the supplied screw and washers.



Wall Box Mounting: Wall Box Mounting + Standard/Mini Pendant Mount



3. Corner Mount

3.1 Corner Mounting Plate

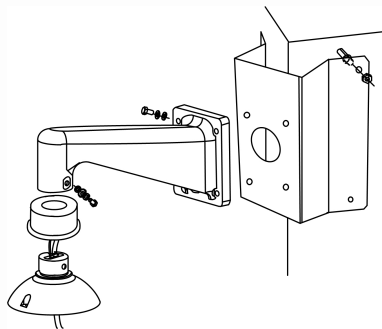
Follow the steps below to mount the Speed Dome Camera with the Corner mounting Plate and Standard/Mini Pendant Mount.

1. Make a cable entry hole on the wall to insert the cable(s).
2. Attach the Corner Mounting Plate to the corner of the wall with the proper screws and screw anchors. Then run the cable(s) through the hole on the Corner Mounting Plate with the I/O Cable's connector coming out.
3. Fasten the Standard/Mini Pendant Mount onto the Corner Mounting Plate with the supplied screws and washers. Then thread the cable(s) through the Standard/Mini Pendant Mount with the cable(s) coming out of the Pendant Mount's outlet.



NOTE: Please block the cable entry hole with the supplied sponge to avoid insects entering the Pendant Mount. See the illustrations in section 2.1 Mini Pendant Mount > Step 4.

4. Attach the supplied Waterproof Rubber to the Standard/Mini Pendant Mount.
5. Thread the cable(s) through the top holder and connect the top holder to the Standard/Mini Pendant Mount with the supplied screws and washers. Then adjust the Waterproof Rubber over the joint.
6. Connect the Ethernet and I/O cables and hook the safety wired to the camera.
7. Join the Dome Camera to the top holder with the supplied M5 screw and washers.



Corner Wall Mounting: Corner Mounting Plate + Standard/Mini Pendant Mount

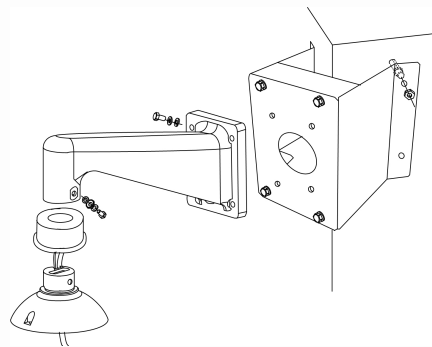
3.2 Corner Box Mounting

Follow the steps below to mount the Speed Dome Camera with the Corner Box and Standard/Mini Pendant Mount.

1. Make a cable entry hole on the wall to insert the cable(s).
2. Attach the Corner Box to the corner of the wall with proper screws and screw anchors. Then run the cable(s) through the hole on the Corner Box with the I/O Cable's connector coming out.
3. Fasten the Standard/Mini Pendant Mount onto the Corner Box with the supplied screws and washers. Then thread the cable(s) through the Standard/Mini Pendant Mount with the cable(s) coming out of the Pendant Mount's outlet.

⚠ NOTE: Please block the cable entry hole with the supplied sponge to avoid insects entering the Pendant Mount. See the illustrations in section 2.1 Mini Pendant Mount > Step 4.

4. Attach the supplied Waterproof Rubber to the Standard/Mini Pendant Mount.
5. Thread the cable(s) through the top holder and join the top holder to the Standard/Mini Pendant Mount with the supplied screws and washers. Then adjust the Waterproof Rubber over the joint.
6. Connect the Ethernet and I/O cables and hook the safety wired to the camera.
7. Attach the Dome Camera to the top holder with the supplied M5 screw and washers.



Corner Box Mounting: Corner Box + Standard/Mini Pendant Mount



4. Pole Mount

4.1 Pole Direct Mounting

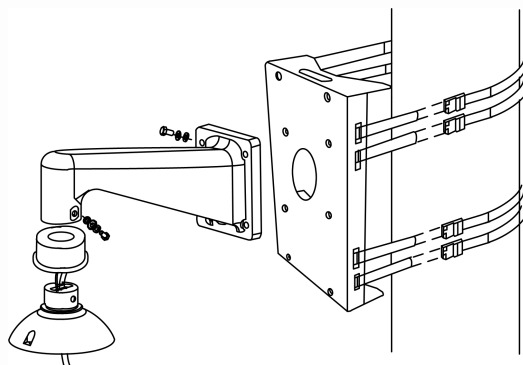
Follow the steps below to mount the Speed Dome Camera with the Pole Direct Mount and Standard/Mini Pendant Mount.

1. Fasten the Pole Direct Mounting onto a pole using the stainless straps.
2. Run the cable(s) through the hole on the Pole Direct Mount with the I/O Cable's connector coming out.
3. Fasten the Standard/Mini Pendant Mount onto the Pole Direct Mounting with the supplied screws and washers. Then thread the cable(s) through the Standard/Mini Pendant Mount with the cable(s) coming out of the Pendant Mount's outlet.



NOTE: Please block the cable entry hole with the supplied sponge to avoid insects entering the Pendant Mount. See the illustrations in section 2.1 Mini Pendant Mount > Step 4.

4. Attach the supplied Waterproof Rubber to the Standard/Mini Pendant Mount.
5. Thread the cable(s) through the top holder and join the top holder to the Standard/Mini Pendant Mount with the supplied screws and washers. Then adjust the Waterproof Rubber over the joint.
6. Connect the Ethernet and I/O cables and hook the safety wired to the camera.
7. Join the Speed Dome Camera to the top holder with the supplied M5 screw and washers.



Pole Direct Mounting: Pole Direct Mounting + Standard/Mini Pendant Mount

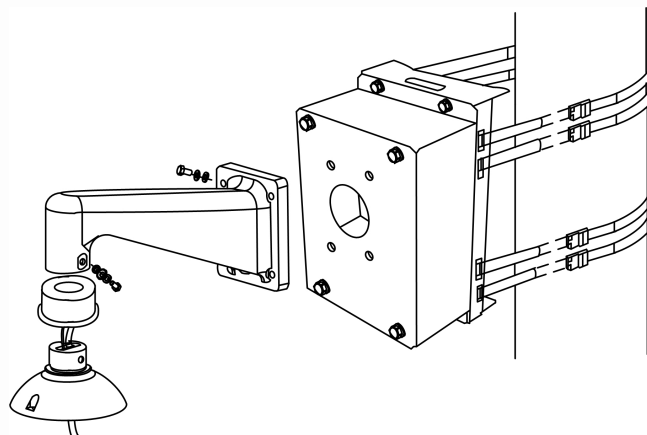
4.2 Pole Box Mounting

Follow the steps below to mount the Speed Dome Camera with the Pole Box Mount and Standard/Mini Pendant Mount.

1. Fasten the Pole Direct Mounting onto a pole using the stainless straps.
2. Run the cable(s) through the hole on the Pole Box Mount with the I/O Cable's connector coming out.
3. Fasten the Standard/Mini Pendant Mount onto the Pole Box Mount with the supplied screws and washers. Then thread the cable(s) through the Standard/Mini Pendant Mount with the cable(s) coming out of the Pendant Mount's outlet.

⚠ NOTE: Please block the cable entry hole with the supplied sponge to avoid insects entering the Pendant Mount. See the illustrations in section 2.1 Mini Pendant Mount > Step 4.

4. Attach the supplied Waterproof Rubber to the Standard/Mini Pendant Mount.
5. Thread the cable(s) through the top holder and join the top holder to the Standard/Mini Pendant Mount with the supplied screws and washers. Then adjust the Waterproof Rubber over the joint.
6. Connect the Ethernet and I/O cables and hook the safety wired to the camera.
7. Join the Speed Dome Camera to the top holder with the supplied M5 screw and washers.



Pole Box Mounting: Pole Box Mount + Standard/Mini Pendant Mount